

# Performance data

2

## Capacitor Start / Capacitor run 3000 min<sup>-1</sup> (2 pole)

Rated power	Full load speed in revolutions per minute	Frame reference and size	Full load current at rated voltage	Efficiency	Power factor	Full load torque	Direct on line starting torque ratio	Direct on line starting current ratio	Direct on line pull out torque ratio	Rotor inertia WK <sup>2</sup>	Mean sound pressure level (d 1m on no load)	Motor weight
$P_N$ kW (hp)	n min <sup>-1</sup>	Type	$I_N$ 230 V A	$\eta$ 1.0 $P_N$	$\cos \phi$ 1.0 $P_N$	$M_N$ Nm	$\frac{M_A}{M_N}$	$\frac{I_A}{I_N}$	$\frac{M_K}{M_N}$	J kgm <sup>2</sup>	$L_{PA}$ dB(A)	Weight kg
0.37 (0.5)	2760	10-TDA71M1	2.53	67.0	0.95	1.28	1.8	5.0	1.6	0.0075	-	7.0
0.55 (0.75)	2760	10-TDA71M2	3.7	70.0	0.95	1.90	1.8	5.0	1.6	0.009	-	7.8
0.75 (1.0)	2800	10-TDA80M1	4.7	72.0	0.95	2.56	1.8	5.5	1.6	0.0012	59	11.2
1.1 (1.5)	2800	10-TDA80M2	6.8	74.0	0.95	3.75	1.8	5.5	1.6	0.0014	60	12.8
1.5 (2.0)	2800	10-TDA90S	9.0	75.0	0.95	5.12	1.8	5.5	1.6	0.0029	64	16.8
2.2 (3.0)	2800	10-TDA90L	13.1	76.0	0.95	7.5	1.7	5.5	1.6	0.0055	64	19.7
3.0 (4.0)	2800	10-TDA100L	17.4	78.0	0.95	10.2	1.7	6.0	1.6	0.0109	66	23.0

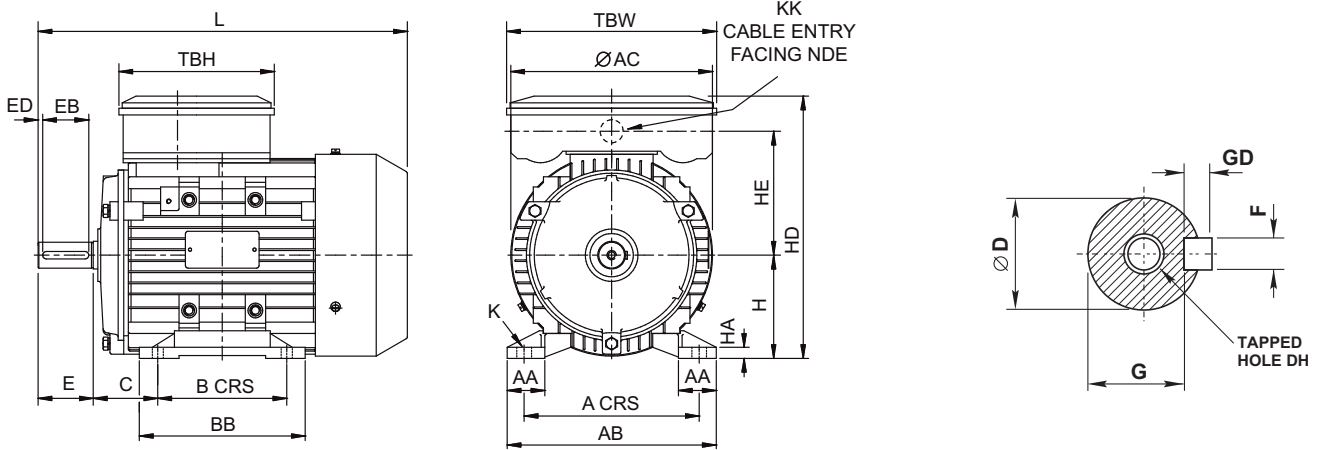
## Capacitor Start / Capacitor run 1500 min<sup>-1</sup> (4 pole)

Rated power	Full load speed in revolutions per minute	Frame reference and size	Full load current at rated voltage	Efficiency	Power factor	Full load torque	Direct on line starting torque ratio	Direct on line starting current ratio	Direct on line pull out torque ratio	Rotor inertia WK <sup>2</sup>	Mean sound pressure level (d 1m on no load)	Motor weight
$P_N$ kW (hp)	n min <sup>-1</sup>	Type	$I_N$ 230 V A	$\eta$ 1.0 $P_N$	$\cos \phi$ 1.0 $P_N$	$M_N$ Nm	$\frac{M_A}{M_N}$	$\frac{I_A}{I_N}$	$\frac{M_K}{M_N}$	J kgm <sup>2</sup>	$L_{PA}$ dB(A)	Weight kg
0.25 (0.33)	1370	10-TDA71M1	1.94	61.0	0.92	1.7	1.7	5.0	1.6	0.0008	-	7.2
0.37 (0.5)	1370	10-TDA71M2	2.69	65.0	0.95	2.6	1.7	5.0	1.6	0.0013	-	8.0
0.55 (0.75)	1400	10-TDA80M1	3.8	68.0	0.92	3.8	1.7	5.0	1.6	0.0018	49	11.0
0.75 (1.0)	1400	10-TDA80M2	4.9	70.0	0.95	5.1	1.7	5.0	1.6	0.0021	49	12.0
1.1 (1.5)	1400	10-TDA90S	7.0	71.0	0.95	7.5	1.7	5.0	1.6	0.0023	51	17.0
1.5 (2.0)	1400	10-TDA90L	9.2	73.0	0.95	10.2	1.7	5.0	1.6	0.0027	51	19.8
2.2 (3.0)	1400	10-TDA100L1	13.4	75.0	0.95	15.0	1.7	5.0	1.6	0.0054	55	25.4
3.0 (4.0)	1400	10-TDA100L2	17.6	77.0	0.95	20.5	1.7	5.0	1.6	0.0067	55	29.0

# Dimensions

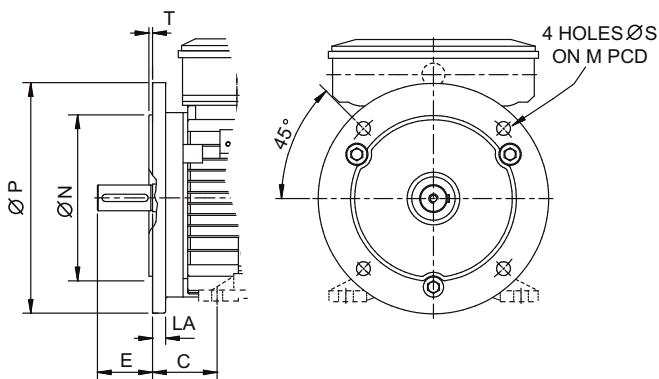
Foot (B3), D flange (B5), C face (B14), Foot & D flange (B35) and Foot & C face mounted (B34) - Frame sizes 71 to 100

IM B3  
IM 1001  
Mounting options

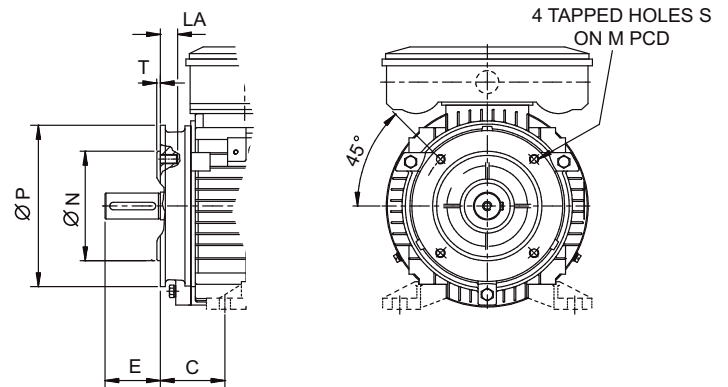


General														Terminal box		
Type	A	B	C	H	K	L	AA	AB	AC	BB	HA	HD	HE	TBW	TBH	KK
10-TDA71M	112	90	45	71	7 x 11	257	26	138	136	110	8	195	-	183	135	1 x CM20
10-TDA80M	125	100	50	80	10 x 14	300	35	157	155	125	9	215	-	183	135	1 x CM20
10-TDA90S	140	100	56	90	10 x 14	315	37	173	175	125	10	235	-	203	157	2 x C M20
10-TDA90L	140	125	56	90	10 x 14	340	37	173	175	150	10	235	-	203	157	2 x CM20
10-TDA100L	160	140	63	100	12 x 16	430	40	196	215	172	11	265	-	203	157	1 x CM25

IM B5/IM B35  
IM 3001/IM 2001  
Mounting options



IM B14/IM B34  
IM 3601/IM 2101  
Mounting options



Flange & Face												
Type	IM B5 / B35 mounting						IM B14 / B34 mounting					
	M	N	P	S	T	LA	M	N	P	S	T	LA
10-TDA71M	130	110	160	10	3.5	10	85	70	105	M6	2.5	-
10-TDA80M	165	130	200	12	3.5	12	100	80	120	M6	3.0	-
10-TDA90S/M	165	130	200	12	3.5	11	115	95	140	M8	3.0	14
10-TDA100L	215	180	250	14.5	4.0	13	130	110	160	M8	3.5	15

Shaft								
Type	D	E	F	G	GD	EB	ED	DH
10-TDA71M	14	30	5	11	5	25	2.5	M5
10-TDA80M	19	40	6	15.5	6	30	5	M6
10-TDA90S/M	24	50	8	20	7	40	5	M8
10-TDA100L	28	60	8	24	7	50	5	M10